

TUCKER

CORP.

MEDFORD, OREGON

2000 SERIES



2000 SERIES

SPECIFICATIONS

2000C-28-4-2

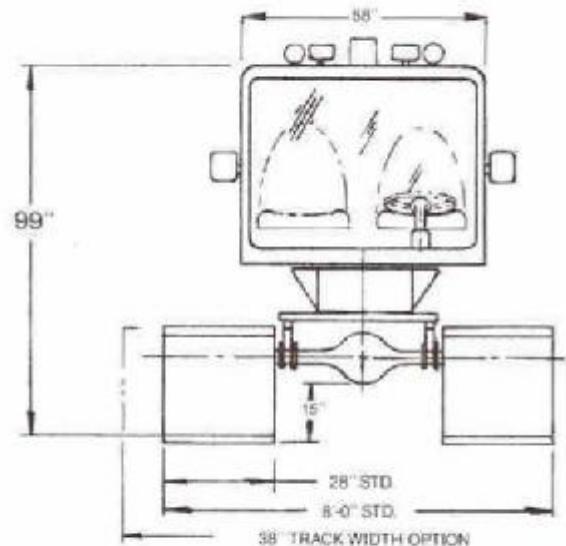
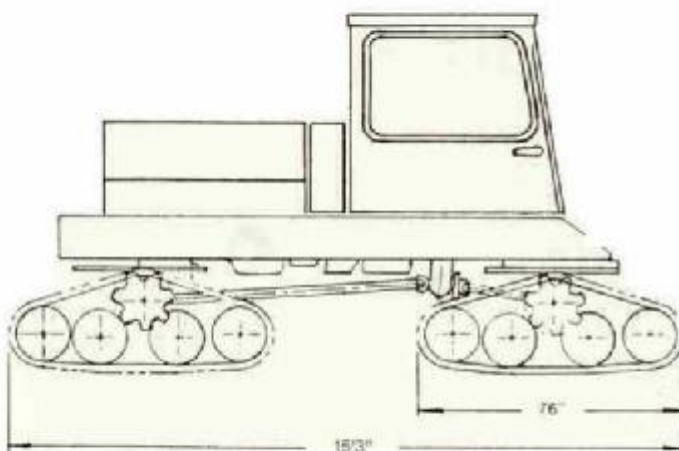
LENGTH: 15'3" WIDTH: 96"
HEIGHT: 99"
WEIGHT: 7,000 LBS.
PASSENGERS: 2
LOAD RATING: 1,900 LBS.
GROUND BEARING PRESSURE: (P.S.I.)
(UNLADEN) ZERO PENETRATION — 1.05 PSI
(UNLADEN) 7" PENETRATION — .82 PSI
TRACK DIMENSIONS: (x4)
WIDTH: 28" LENGTH: 76"
TURN RADIUS: 18'3"
GROUND CLEARANCE: 15"
ENGINE: CHRYSLER INDUSTRIAL V-8,
360 155 H.P.
TRANSMISSION: ALLISON AT 545
AUTO 4-SPD.
FUEL CAPACITY: 50 U.S. GALLONS

STANDARD EQUIPMENT

HYDRAULIC FOOT BRAKE
MECHANICAL PARKING BRAKE
HYDRAULIC STEERING
FULL ENGINE INSTRUMENTS
ELECTRIC FUEL PUMP
H.D. FUEL FILTER
CAB HEATER — 36,000 B.T.U.
FRONT DEFROSTER W/ADJ. OUTLETS
PERSONNEL ASSIST HANDLES
DUAL WINDSHIELD WIPER SYSTEM
DUAL HEADLAMPS
SEALED BEAM BACKUP LIGHT
FRONT BUCKET SEATS
FULL COMPLEMENT OF SEAT BELTS
DUAL ELECTRIC HORNS
COOLANT RECOVERY SYSTEM
R.O.P.S.
LOCKING DOOR HANDLES
ACRYLIC ENAMEL PAINT
58" INSULATED CAB
MIRRORS
DOME LIGHT
BRAKE & TAIL LIGHTS
FIRE EXTINGUISHER

— OPTIONS —

DIESEL — CUMMINS 6 BT, 152 H.P.
CUMMINS 6 BTA, 177 H.P. OR 190 H.P. W/TILLER
TRACK: 28" OR 38" 6-WHEEL CARRIER
GROOMING EQUIPMENT: TUCKER 8'6" U-BLADE 6-WAY
TUCKER 10' U-BLADE 6-WAY
COMPACTOR BAR
TUCKER SNO-TILLER & TRACKSETTER



ALL RIGHTS RESERVED — PRICES AND SPECIFICATIONS SUBJECT TO CHANGE WITHOUT NOTICE

TUCKER SNO-CAT CORP. • P.O. BOX 1529 • MEDFORD, OR 97501

503-779-3731 • FAX 503-779-3735

PRICES FURNISHED ON REQUEST

TRACK, INC
P. O. BOX 201
BLOOMINGTON
MINNESOTA
55420