



**Trail Grooming at it's Finest—
The New Pisten Bully 200S**



Pisten Bully
200S

**SNOW SURVIVAL SCHOOL
SNOW OPERATIONS TRAINING CTR. L.L.C.**
5231 S. SANTA FE DR., #2000
LITTLETON, CO 80120
303-734-0772 or 800-465-7669



Kässbohrer All Terrain Vehicles, Inc.

Vehicle Technology for the Environment, Nature and Recreation

750A South Rock Blvd., Reno, Nevada 89502 Tel. 775.857.5000, Fax. 775.857.5010 <http://www.katvpb.com> e-mail: katvpb@aol.com



Branches:

Kässbohrer All Terrain Vehicles, Inc.
750A S. Rock Blvd.
Reno, NV 89502
Phone 775.857.5000
Fax 775.857.5010

Kässbohrer All Terrain Vehicles, Inc.
43 Alfred A. Pheasant Parkway
P.O. Box 1855
Lewiston, ME 04241 - 1855
Phone 207.777.7800
Fax 207.784.8840

Kässbohrer All Terrain Vehicles
2321 Interstate Ave.
Grand Junction, CO 81505
Phone 970.245.8331
Fax 970.245.2362

Dealers:

Track Inc.
8800-T James Ave. South
Bloomington, MN 55431
Phone 612.888.7372
Fax 612.884.2938

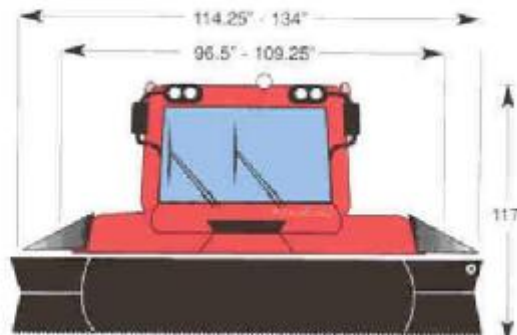
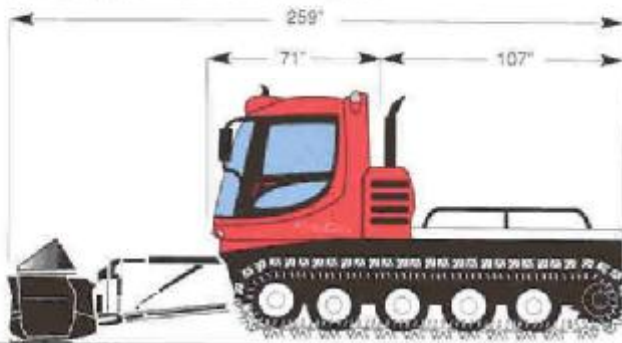
Robart Ltd.
1 Forest Lane
P.O. Box 340
Chester, NY 13319
Phone 315.737.7288
Fax 315.737.7347

Track Vehicle Repair
RR1, Craigburn
Barrie, Ontario
Canada L4M 4Y8
Phone 705.732.6606
Fax 705.732.5405

Oak Creek Golf & Turf, Inc.
2616 - 94 Avenue SE
Calgary, Alberta
Canada T2C 2B4
Phone 403.278.2907
Fax 403.236.7995

Peterson Equipment Co., Inc.
2685 N. Main St.
P.O. Box 6070
Logan, UT 84341
Phone 435.752.5110
Fax 435.752.8666

Left: The new Pisten Bully cage which protects the glass and driver from the harmful elements of nature.



Pisten Bully 200S specification		Narrow Version (2 belt track)	Wide Version (3 belt track)
Tracks	Width	31.5"	37.75"
Dimensions	Width	74"	74"
		without tracks (for trailering)	with steel tracks
		74"	109.25"
	Blade Widths	for 8/10 ft machine (8 way blade)	114.25"
		for 10ft machine (12 way blade)	134"
		114.25"	144"
	Overall Length (with blade)	259"	259"
	Overall Height (over guard)	117"	117"
	Height with Cab Tilted (over guard)	135"	135"
	Ground Clearance	13.75"	13.75"
	Rear Deck Platform	45 sq.ft.	45 sq.ft.
	Rear Deck Height	49"	49"
Weights	Vehicle Weight	with tracks/blade	13,800 lbs
			14,200 lbs
	Max. Platform Load	3,300 lbs	3,300 lbs
Engine	Manufacturer	Mercedes-Benz	
	Type	OM 906 LA	
	No. of Cylinders	6	
	Displacement	6.31 (384 cu. in.)	
	Horsepower	278	
	Torque	614 ft. lbs @1300 rpm	
	Fuel Capacity	max 35 qts. min 30 qts. 80 U.S. gals.	
Transmission	Hydrostatic, infinitely variable speed with electronic steering, via steering wheel		
Brakes	Hydrostatic, with additional multi-disc parking brake		
Electrical	24V system with 28V x 100 amp alternator with dual 12V x 135 amp/hr batteries		
Performance	Top Speed	12.4 mph	12.4 mph
	Fuel Consumption	4.2 gal/hr avg	4.2 gal/hr avg
Standard Equipment	Full Cabin Brushguard, 3 Hydraulic Circuits to rear (1 float) AM/FM Stereo Cassette player, 12V power socket		

(All dimensions and specifications are subject to change in the course of technical developments.) 9/99

200S