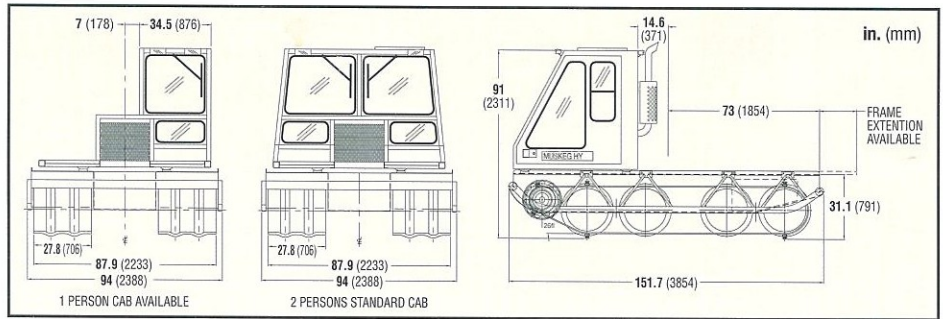


Muskeg Carrier Hydrostatic*



ENGINE

Make	Cummins	
Model	6 BT	
Type	Diesel	
No of Cylinders	6	
Displacement	365 cu. in.	5,9L
Horsepower - Brake @ 2300 rpm	152 HP	113 kW
Torque @ 1600 rpm	414 lbs. ft.	561 N.m

POWER TRAIN

Transmission	Hydrostatic	
- Type	Sundstrand series 90 pump	
- Model	Poclain LSHT motor MS18	
Drive sprockets	Rubber & fabric	
- Type	Front	
- Location		
Brake	Positive deceleration through the hydrostatic transmission	
- Service	Multidisc, spring applied pressure-released	
- Parking		

STEERING

Independent control for each track

CHASSIS

Type Toboggan, watertight

SUSPENSION

Wheels mounted in tandem

WHEELS

Quantity	16
Type of tire	4 rear solid; remaining: Pneumatic or solid
Size	4.5 in. X 16 in. (114 mm X 406 mm)

TRACKS

Type	Rubber belts with steel crosslinks
Width	28 in. (710 mm)
Type of Belts	Rubber and fabric
Width of belts	5.5 in. (14 cm)

DIMENSIONS in. (mm)

Overall Width	94.0 (2388)
Overall Length	151.7 (3854)
without Winch	91.0 (2311)
Overall Height	14.0 (360)
Ground Clearance	31.1 (791)
Frame Height	
Curb Weight	
- Basic Vehicle	10,400 lbs. (4727 kg)
Load Capacity	10,000 lbs. (4500 kg)

ELECTRICAL

Voltage	12 volts
Battery Capacity of 0°F (cold cranking ability) (CCA)	950 CCA
Alternator Capacity	66 amps
Ground	Negative

CAPACITIES U.S. gallons Liters

Cooling system	9.5	36.0
Fuel tank	40.0	151.0
Engine crankcase	4.1	15.5
Hydrostatic	20.0	75.0

PERFORMANCE

Maximum Speed	6.5 mph	10 km/h
Fording Depth	30 in.	760 mm
Inside Turning Radius	0	
Ground pressure (no penetration):		
- Basic Vehicle	1.9 Psi	134 g/cm ²
- Vehicle loaded	4.0 Psi	282 g/cm ²
Maximum Gradeability (on optimum ground conditions):		
- Uphill	Up to 60 %	
- Sidehill	Up to 40 %	

STANDARD EQUIPMENT

2 man insulated electric power tilt cab
 Seat belts
 Dual controlled heaters and defrosters
 Dome and instrument lights
 2 front lights (halogen double bulb)
 1 rear light (halogen double bulb)
 Full instrumentation
 Electrical engine shut-down
 1,000 watts engine block heater
 Cold start aid
 Back-up alarm
 Parts catalog, manuals and special tools
 Roof opening for ventilation

STANDARD EQUIPMENT (continued)

Air Cleaner	Dry
- Type	Up to -37°C (-35°F)
Anti - freeze	Hourmeter
Instruments	Fuel gauge
(gauge)	Engine oil pressure gauge
	Engine temperature gauge
	Voltmeter
	Tachometer
	Hydrostatic oil temperature gauge
Warning light:	Parking brake light
	High engine coolant temperature
Warning buzzer:	Hydrostatic oil temperature
	Engine oil temperature
	Low engine oil pressure
	Hydrostatic oil temperature
	Hydrostatic oil level
Seat belt	Lap
- Type	

OPTIONAL EQUIPMENT

Microprocessor assisted steering
Cab
 Cab - single
 Cab - crew type (6 passengers)
Miscellaneous
 Pintle hook (front or rear)
 Track belts with steel reinforcing cables
 Radiator shutters
 Additional fuel tank
 Additional hydraulic tank
 Radiator shutters
 Deck extension
 Dump box
 Special color
 Winch (front or rear)
 Winch cable guide
 Perkins engine 1006-60TW (180 HP)

Vehicle shown with optional equipment. The specifications for a basic vehicle are given on the basis of adequate skills and ability of operator (as indicated in *Operator's Guide*) and under ideal snow conditions. The manufacturer reserves the right to change or discontinue any specifications, design, features, model or accessories shown or instructed without notice. * Trade Mark of Bombardier Inc. © Copyright Bombardier Inc. 08/2000

BOMBARDIER RECREATIONAL PRODUCTS

Bombardier inc.
 1001 J.-A.- Bombardier
 Granby, Quebec, Canada J2J 1E9
 Telephone 1(450) 776-3600
 Fax 1(450) 776-3625
<http://www.recreation.bombardier.com>

