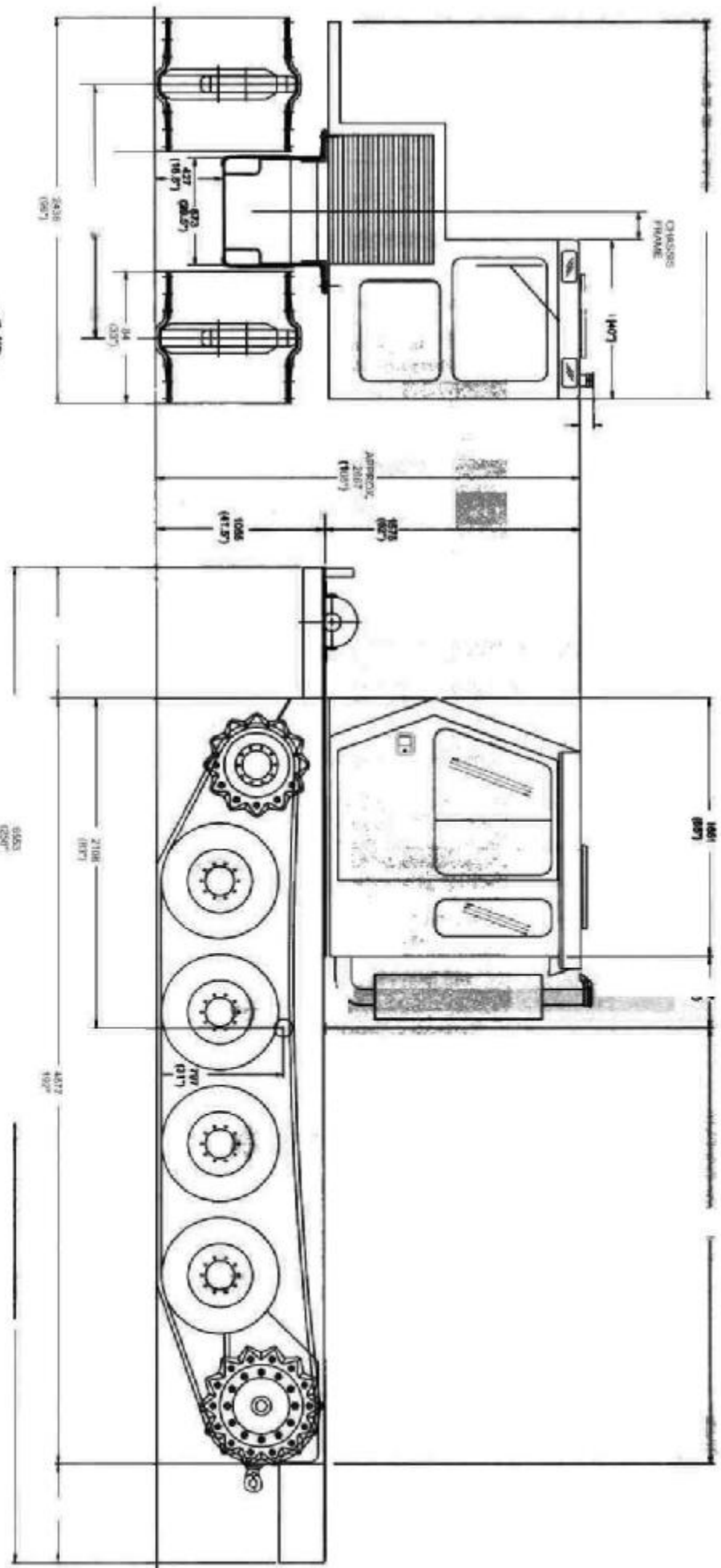


GTT 1600 HAY



BOMBARDIER



GT 1600 HY

FEATURES

GT 1600 HY STANDARD FEATURES

- Produced in an ISO 9001 certified production facility.
- Employs selected technologies transplanted from tried and tested alpine groomers.
- Hundreds of thousands of operating hours logged

OPERATOR'S CABIN

- One person
- Sun roof
- Deluxe suspension seat w/ seat belt
- Integral welded steel frame ROPS SAE J1040 cert.
- Windshield washer and wiper
- Sun visor
- Thermally insulated
- Low interior noise levels
- Rubber mounted Dome light

ALARMS

- Low engine oil pressure
- High engine coolant temperature
- High hydrostatic fluid temperature
- Low hydrostatic fluid level

EXTERIOR LIGHTS

- Two head lights
- Two rear lights

GLASS

- Laminated safety glass

HEATING

- Twenty seven thousand btu heater with adjustable vents for defrosting

OPERATORS CONTROLS

- Microprocessor drive control:
 - Microprocessor optimizes pump output depending on work load and operator demands
 - Reduces fuel consumption by maintaining engine rpm at peak
 - Automatically controls pumps to avoid overloading engine
 - Minimizes the possibility of overheating by controlling engine load

- Microprocessor drive control. (continued)
 - Operator control inputs through a steering wheel and foot throttle
 - Auto diagnostics track vehicle operation and log abnormal operation through fault codes
- Analog gauges monitoring:
 - Engine oil pressure
 - Engine coolant temperature
 - Hydrostatic fluid temperature
 - Engine RPM
 - System voltage
 - Engine service hours
 - Fuel level

ENGINE

- Cummins industrial diesel
- Turbocharged
- Cold start aid
- Block heater
- Water/Fuel separator

TRANSMISSION

- Fully hydrostatic drive
- High tractive effort for enhanced pulling and climbing power
- Sealed and pressurized system with level sight glass
- Independent left and right pump / motor pairs to avoid cross contamination
- Sauer Sundstrand infinitely variable displacement pumps
- Sauer Sundstrand fixed displacement motors
- Heavy duty drive fluid cooler

BRAKES - service

- Positive deceleration through the hydrostatic transmission

BRAKES - parking

- Spring applied, pressure released

FINAL DRIVE

- Robust planetary reduction gear in oil bath
- Easily disengaged for freewheel mode

UNDERCARRIAGE & TRACKS

- Four independent walking beams
- Hydraulic track tensioner maintains even track tension
- Front idler sprocket in lieu of idler wheel
- Duo-Cone wheel seals w/ sight glass
- D. dent type 33 inch track
- Heavy duty five ply belting
- Heavy duty steel grouser bars reinforced with 1/2 inch rebar
- Drive and idler sprockets are steel with replaceable urethane drive surfaces
- Solid rubber tires

STANDARD EQUIPMENT

- Front Towing eyes
- Exhaust pipe rain cap complete with spark arrestor
- All manuals
- Hydrostatic drive fluid heater

OPTIONAL EQUIPMENT

- Two sticks controlling drive pumps via linear ball bearing cables
- Two FNR levers for control in lieu of steering wheel
- Engine: various capacities and makes
- Cab, two person or crew cab.
- Air conditioning
- Hydraulic system
- Heavy duty brush guards
- Wide, high flotation tracks
- Winch, front and/or rear mounted
- Additional engine heaters
- Engine oil pan heater
- Factory installed aftermarket accessories
- Frame extension front and rear
- Load deck, wood or metal
- Stake sides
- Dump box
- Frame reinforcement
- Track Mounting tool
- Rear pintle hook
- Vandalism protection
- Inclinometer
- Other options available upon request

TECHNICAL SPECIFICATIONS

ENGINE

Make	Cummins
Model	6BT-5.9 liters
Type	Diesel
No of Cylinders	6
Displacement	365 c.i. 5.9 liters
Horsepower	174 hp @ 2500 RPM 128 kw
Torque	458 lb.ft. @ 1500 RPM 620 N.m

DRIVE TRAIN

Gear drive	Funk 28000
Transmission:	
Type	Hydrostatic
Make	Sauer Sundstrand Series 90
Final Drives:	
Type	Planetary gear
Make	Fairfield

ELECTRICAL

Voltage	12 volts
Alternator	100 amp
Battery	1 x 760 cca

DIMENSIONS

Overall Length without extension	192 in. 4.88 m
Overall Width tracks on	96 in. 2.44 m
Overall Height	108 in. 2.75 m
Ground Clearance Hard surface	16.8 in. 43 cm
Frame Height hard surface	41.5 in. 106 cm
Curb Weight (basic vehicle)	16000 lbs 7257 kg

CAPACITIES

Fuel tank	48 gal 185 litres
Hydrostatic tank	26 gal 100 litres

PERFORMANCE

Load Capacity	16000lb. 7257 kg
Maximum Speed	5.3 mph 8.4 km/h
Fording Depth	42 in. 106 cm
Inside Turning Radius	0 in. 0cm
Basic Vehicle at 16,000 lbs	
ground pressure at 0" penetration	2.4 psi 170 g/cm ²
ground pressure at 6" penetration	1.8 psi 126 g/cm ²
At G.V.W.	32,000 lbs 14514kg
ground pressure at 0" penetration	4.8 psi 340 g/cm ²
ground pressure at 6" penetration	3.6 psi 252 g/cm ²
Maximum Gradeability: side hill	Up to 40% Up to 40%
fore and aft	Up to 60 % Up to 60 %

Bombardier Inc.

1001 J.A-Bombardier Street
 Granby, Québec J2J 1E9
 Telephone 1(450) 776-3600
 Fax 1(450) 776-3625

The specifications given are for a basic vehicle and tested under ideal conditions. The manufacturer reserves the right to change specifications without notice.
 Copyright © Bombardier Inc. 10/01

P/N : 180 4182 00