

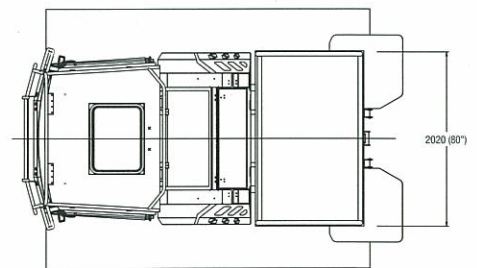
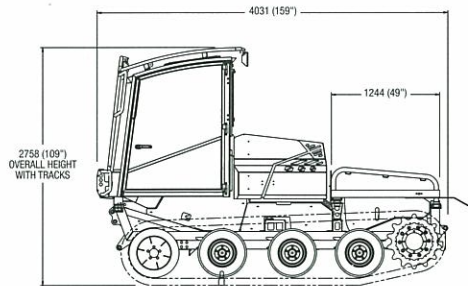
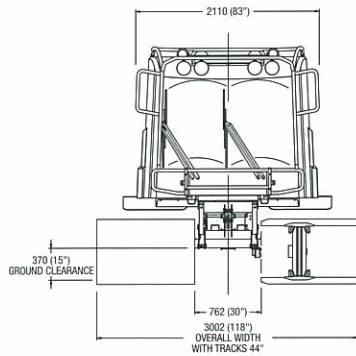


PATROL™

Camoplast is the world leader in the production of tracked vehicles for the utility markets, rubber tracks for snowmobiles and agricultural equipment.

We are committed to the utility industry and will provide customers with quality support and innovative, dependable products for years to come.





PATROL™ Specifications

DIMENSIONS

| | | |
|--------------------------------|---|---------|
| Overall length (basic vehicle) | 4031 mm | 159 in |
| Overall width | | |
| 31.5-in tracks | 2362 mm | 93 in |
| 35.5-in tracks | 2565 mm | 101 in |
| 44-in tracks | 2997 mm | 118 in |
| Overall height | 2758 mm | 109 in |
| Ground clearance | 370 mm | 15 in |
| Shipping weight | 3311 kg | 7300 lb |
| | (Basic vehicle with 44-in steel tracks) | |

PERFORMANCE

| | | |
|--------------------------|------------------------|------------------|
| Maximum speed | 32 km/h | 20 mph |
| Inside turning radius | 0 m | 0 ft |
| Ground pressure | 150-mm | 6-in penetration |
| 44-in tracks | | |
| Basic vehicle (7500 lbs) | 45.9 g/cm ² | 0.65 psi |
| Gross weight (8500 lbs) | 63.1 g/cm ² | 0.74 psi |
| Maximum gradeability | | |
| Sidehill | 75% | |
| Uphill / Downhill | 100% | |
| Payload | 454 kg | 1000 lb |
| Gross vehicle weight | 3855 kg | 8500 lb |

ENGINE

| | | |
|-----------------------|------------|---------------------|
| Make | Perkins | |
| Model | 1104C-E44T | |
| Number of cylinders | 4 | |
| Displacement | 4.4 L | 269 in ³ |
| Horsepower @ 2400 rpm | 86 kW | 115 hp |
| Torque @ 1400 rpm | 391 N·m | 288 ft·lb |

POWER TRAIN

| | |
|--------------------------|--|
| Transmission | |
| Model | Sauer-Danfoss Series 90 |
| Type | Hydrostatic |
| Planetary (final drives) | Fairfield |
| Brakes | |
| Service | Positive deceleration through the hydrostatic transmission |
| Parking | Multidisc, spring-applied, pressure-released |

STEERING

Independent control of each track through microprocessor
Steering wheel and forward / neutral / reverse lever

ELECTRICAL

| | |
|---------------------|-------------|
| Voltage | 12 / 24 V |
| Battery capacity | 2 x 750 CCA |
| Alternator capacity | 75 A |

SUSPENSION

| | |
|------|--|
| Type | Independent suspension - long travel with rubber dampening |
|------|--|

WHEELS

| | |
|----------|------------|
| Quantity | 8 |
| Type | Pneumatic |
| Size | 560/140-12 |

TRACKS

| | |
|-------------|---|
| Steel type | Semi-closed profile, light steel cross-link Available in 44-in width |
| Rubber type | Aluminum crosslinks covered with rubber |

CHASSIS

| | |
|------|---|
| Type | Heat-treated, stress-relieved tubular frame |
|------|---|

CAPACITIES

| | | |
|--------------------|----------------|----------------------|
| Cooling system | 20 L (approx.) | 5.3 US gal (approx.) |
| Fuel tank | 200 L | 53 US gal |
| Engine crankcase | 7 L | 1.8 US gal |
| Hydrostatic system | 26 L | 7 US gal |

CAB

| | |
|--|-----------------------------------|
| 2-person cab | Dome lamp |
| 2-point safety belts (2) | 2 exterior mirrors |
| Adjustable seats | Front and rear wipers |
| Heater with adjustable temperature and fan control | 2 front and 2 rear halogen lights |
| | Sunroof |
| | Coat hangers |

STANDARD EQUIPMENT

| | |
|---|-----------------------------|
| S1X microprocessor-assisted control | |
| Antifreeze up to -37°C (-35°F) | |
| Parking brake w/automatic application upon door opening | |
| Glow plug starting aid | |
| Backup alarm | |
| Parts, service and operator's manuals | |
| Rear frame cover | |
| Windshield washer | |
| Horn | |
| Gauges and indicators: | Warning buzzers: |
| Hour meter | Engine temperature |
| Fuel | Engine oil pressure |
| Tachometer | Hydrostatic oil temperature |
| Engine temperature | Hydrostatic oil low level |
| Hydrostatic oil temperature | Parking brake |

OPTIONAL EQUIPMENT

| | |
|--|---------------------------------|
| Rear platform | Sun visors |
| Engine block heater (750 W/120 V) | Beacon light |
| Hydrostatic oil heater + engine | 4 additional front lights |
| Windshield brush guard and headlight protector | Anti-vandalism kit |
| Rear pintle hook | Radio (AM/FM, CD) with speakers |
| Belly pans | |



1001 J.-A.-Bombardier Street
Granby, Quebec, Canada J2J 1E9
Telephone: 450.776.3600
Fax: 450.776.3625
industrial@camoplast.com



7144 Reynolds Dr.
Sedalia, CO 80135
www.SafetyOneInc.com